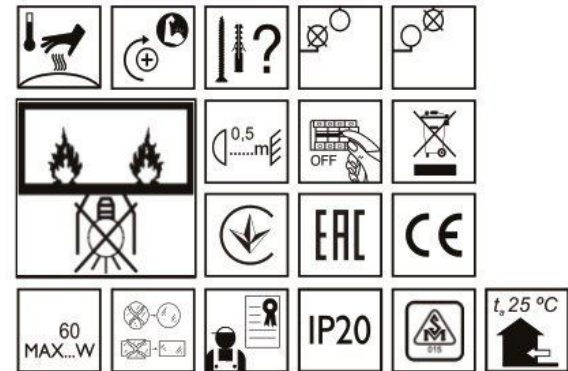


SP•AP

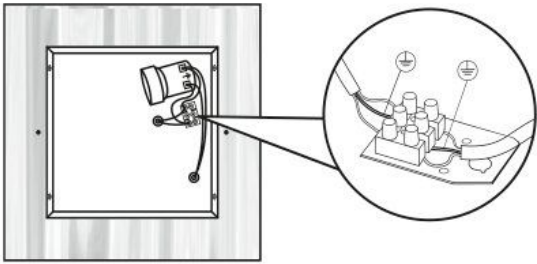
max 1*20W, E-27
max 2*20W, E-27
max 3*20W, E-27
max 4*20W, E-27



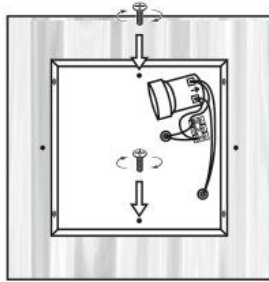
Date of manufacture is indicated on the box.



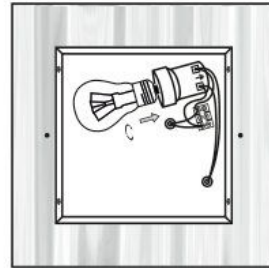
1



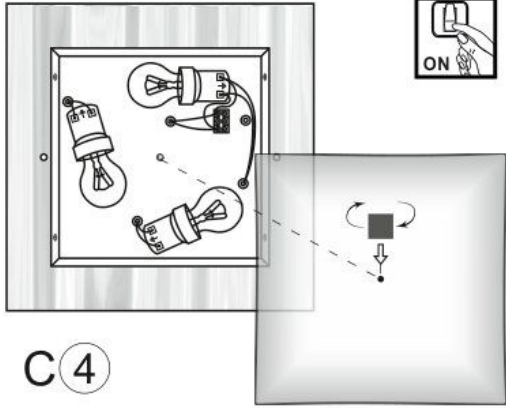
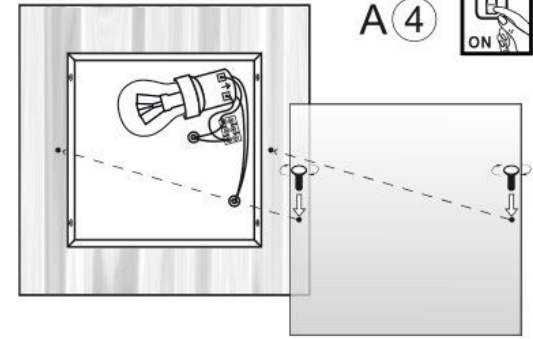
2



3

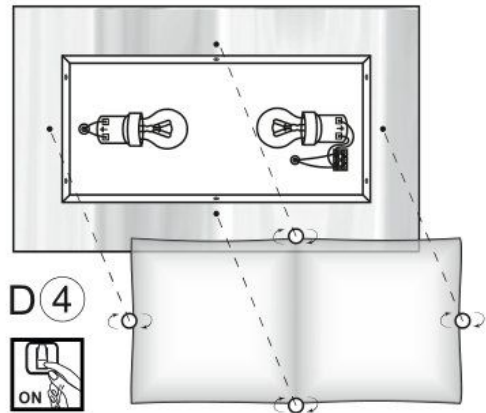
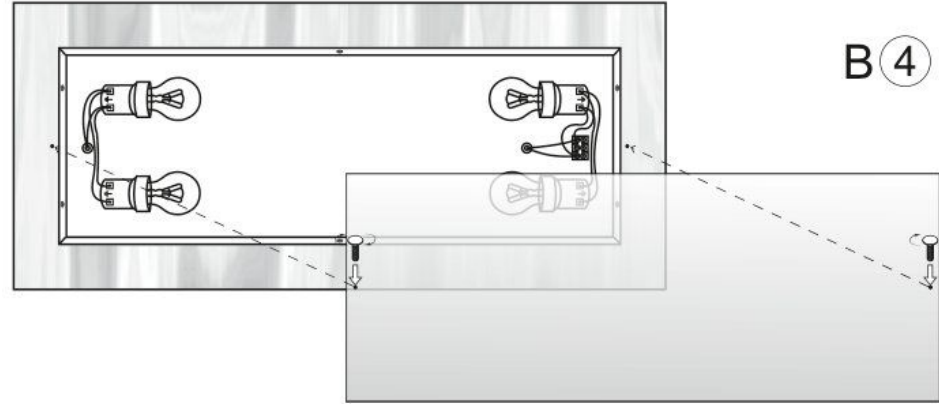


A 4

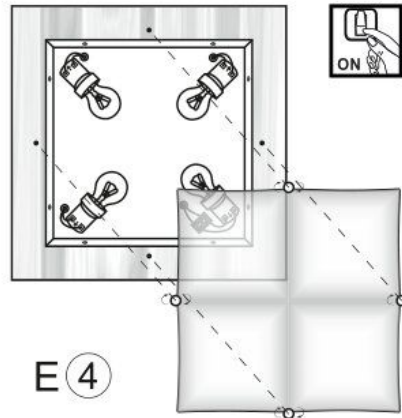


C 4

B 4



D 4



E 4



F 4

